

E&S CONTROL MEASURES – SITE

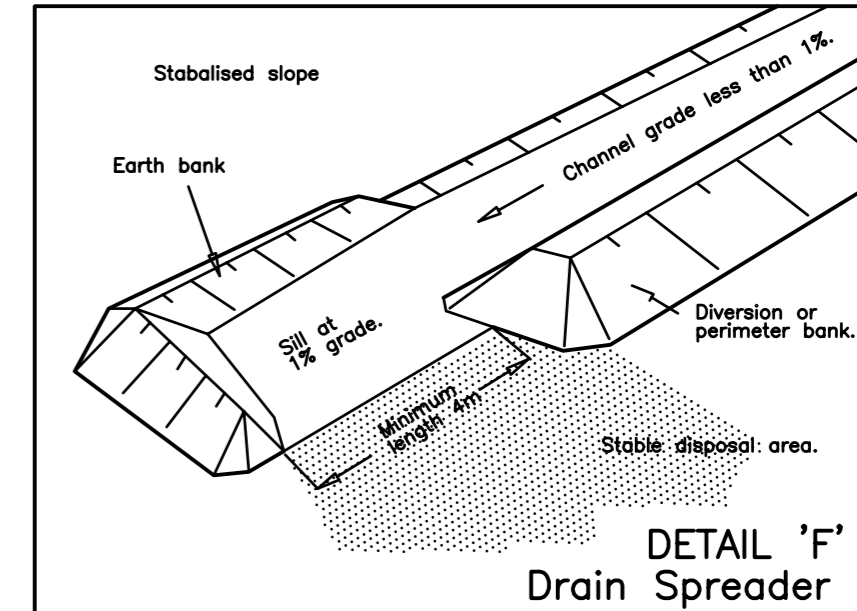
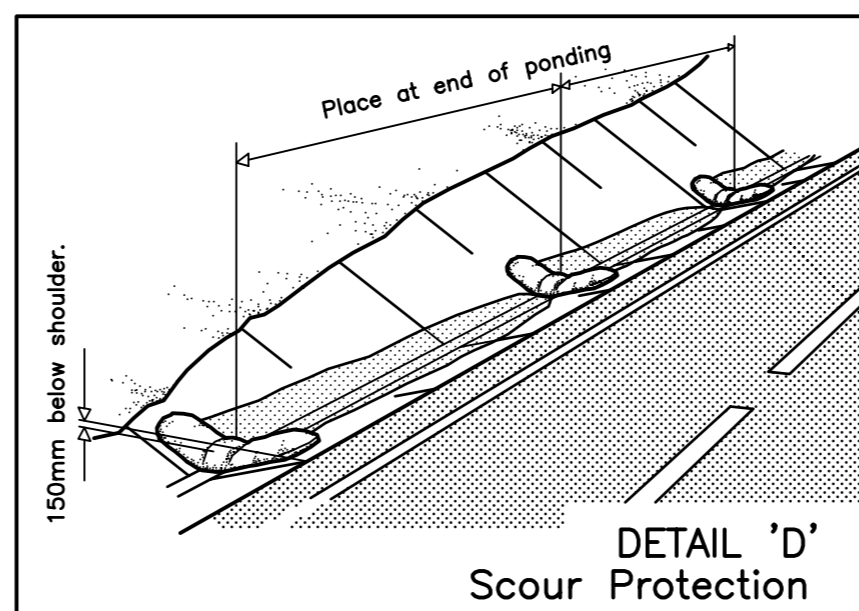
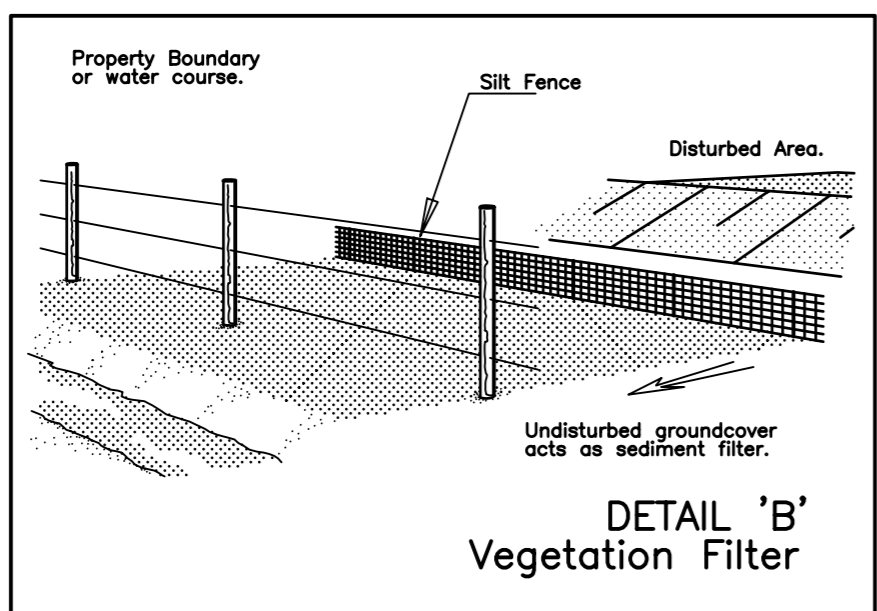
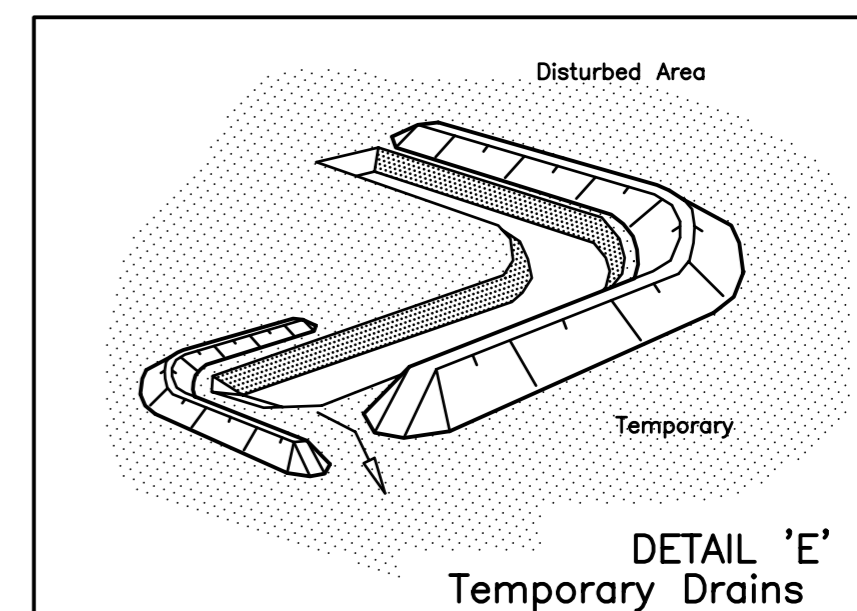
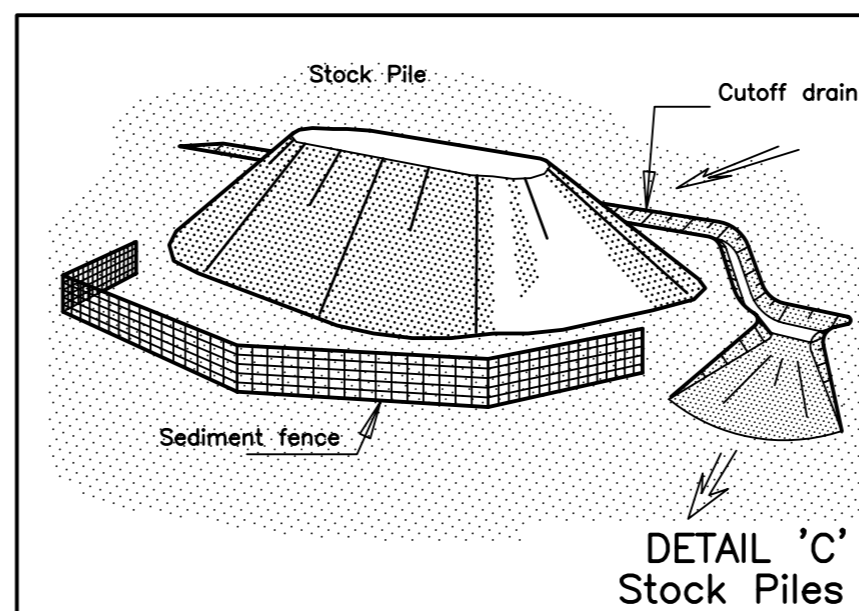
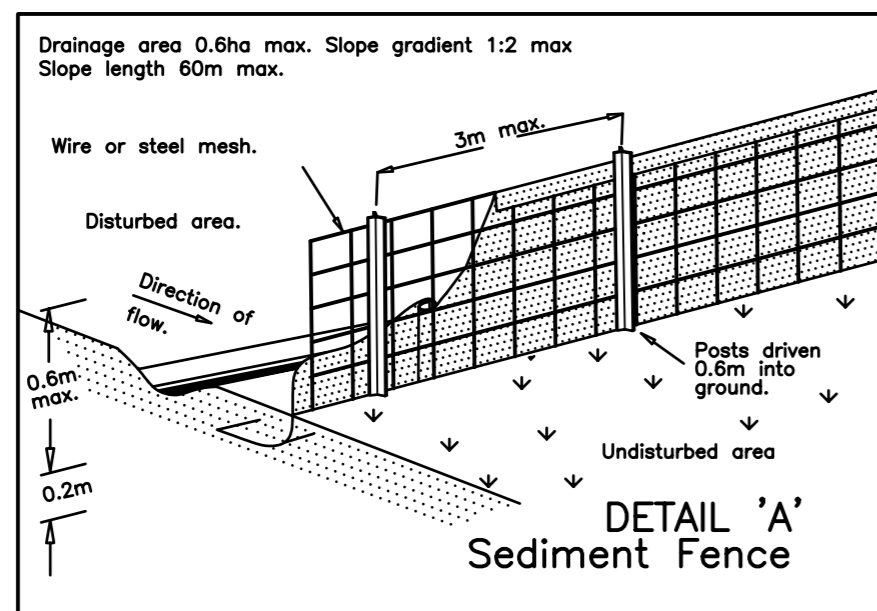
- 1. PERIMETER FENCING (Detail 'A')**
Erect & maintain sediment fences along all boundaries downstream of disturbed areas. Ensure sufficient clearance between boundary fence & sediment fence to allow maintenance vehicle access.
- 2. VEGETATION FILTER STRIPS (Detail 'B')**
Maintain a vegetation filter strip of existing ground cover & bush above work site boundaries & along water courses.
- 3. STOCK PILE MANGEMENT (Detail 'C')**
All stock piles are to have siltation fencing erected downstream & cut off drains upstream to divert surface flow around them. Stockpiles are to be sited with consideration to effects of siltation fence failure, slump, access & damage to vegetation cover during placing & recovery operations.
- 4. CONTROLLED ACCESS POINTS**
Site access is to be defined & sign posted prior to construction. Temporary pavements & drainage structures are to be sited where runoff can be contained & disposed of through controlled measures. All access sites are to be restored after completion of works.
- 5. MAINTENANCE OF E&S MEASURES**
All E&S measures on site are to be inspected, maintained & cleaned at regular intervals & following rain events.

Council's Standard Drawings are currently being reviewed and revised and are provided as a guide only. The Standard Drawings are to be read in conjunction with Council's Infrastructure Specifications and if there is potential conflict between Drawings and Specifications, the requirements in the Specifications take precedence.

Date	Amendment	Officer	Date	Amendment	Officer

E&S CONTROL MEASURES – WORKS

- 1. VEGETATION**
REMOVAL – Mark boundaries of work site & access points to prevent damage to vegetation – Clearing to be restricted to formation areas & work site. Cleared vegetation to be wind rowed along contours.
SEEDING – All disturbed areas (permanent or temporary) to be rolled & seeded within 7 days
- 2. DRAINS (Detail 'D'&'E')**
Temporary or staged drains are to be provided during construction to control sheet flow over disturbed areas & direct runoff to sediment control measures. Provide scour protection in all drains (Detail 'D'). Catch drains are to be cut upstream of fills to prevent the loss of imported materials.
- 3. OUTLETS (Detail 'E'&'F')**
Outlets to temporary drains are to be sited in areas where slopes allow dissipation of flows without scour. Steep or sensitive sites will require sedimentation collection measures be constructed prior to starting works. Control measures to be placed downstream of the outlet as required.



© PORT STEPHENS COUNCIL 2004

DATUM	SCALES N.T.S.	DESIGNED: B LITTLE June '97	THESE DRAWINGS HAVE BEEN CHECKED ON SITE AND ARE RECOMMENDED	Port Stephens C.O.U.N.C.I.L. ... a community partnership	EROSION AND SEDIMENT CONTROL MEASURES FOR RURAL WORKS – CONSTRUCTION PHASE	FILE No: -	No OF SHEETS: 1	SHEET No: 1
		DESIGN ENGINEER	DATE			SHEET DESCRIPTION: EROSION CONTROL		PLAN No: S 137
						DIRECTORY: M:\Jobs\standards\ESC_RUR		